

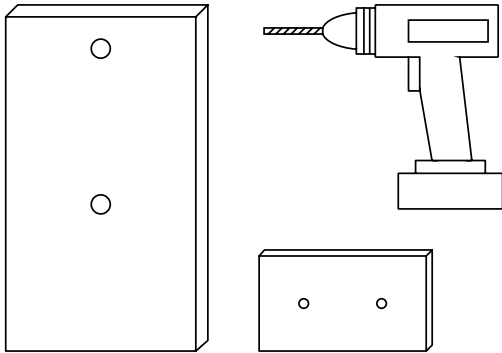
Installing your Grip

STEP 1

Drill two holes, horizontally or vertically, to mount Grip.

The drill size is **9 mm** for size 1 - 4 or **10 mm** for size 5.

Use a tape measure to align the drill holes.



Suggested center-to-center distance between the drill holes:

Size 1	10,6 cm	Size 4	14,7 cm
Size 2	12,8 cm	Size 5	16,4 cm
Size 3	19,4 cm		

STEP 2

Place your grip and attach it using the two included mounting screws.

