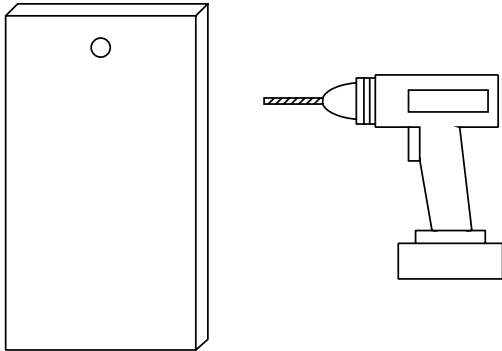


Installing your Handle

STEP 1

Drill a hole of **9 mm** for size 1 - 4 or **10 mm** for size 5.
You can align the drill holes using a tape measure if you are placing more than one handle at the same height.



STEP 2

Fold the handle and attach it using the mounting screw.

