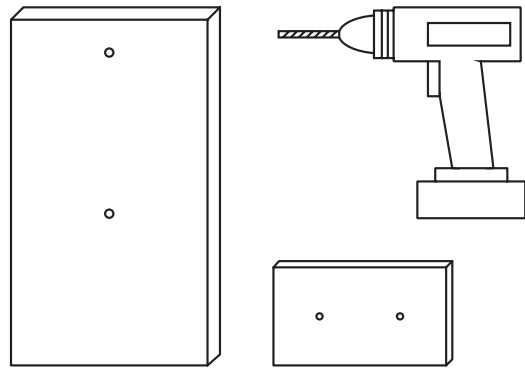


Installing your Stick

STEP 1

Size 1 Pre-drill a hole at the desired location. You can align the drill holes using a tape measure if you are placing more than one Stick at the same height.

Size 2, 3 and 4 Pre-drill two holes, horizontally or vertically, to mount Stick. Use a tape measure to align the drill holes.

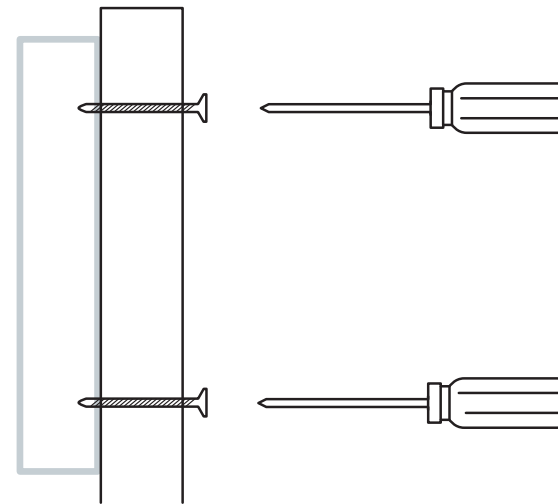


The center-to-center distance between the drill holes is:

Size 2	32 mm
Size 3	128 mm
Size 4	192 mm

STEP 2

Place your grip and attach it manually using a screw driver and the included mounting screws.



Please note: If the screws become a bit loose while using Stick, please tighten the screws for securing Stick. This way you prevent the drilling holes getting wider.

If you have any questions about the installation, please don't hesitate to contact us at order@designstudionu.nl.